

DS-QAZ0610G1-S
Frameless Ceiling Sub Speaker 10W



- 1* 1.0-inch tweeter and 1* 6.5-inch woofer
- Rated Power: 10W
- 89dB Nominal Sensitivity
- 98dB@1m Rated Maximum SPL
- 120Hz~20kHz(-10dB) bandwidth
- White or black

▪ Specification

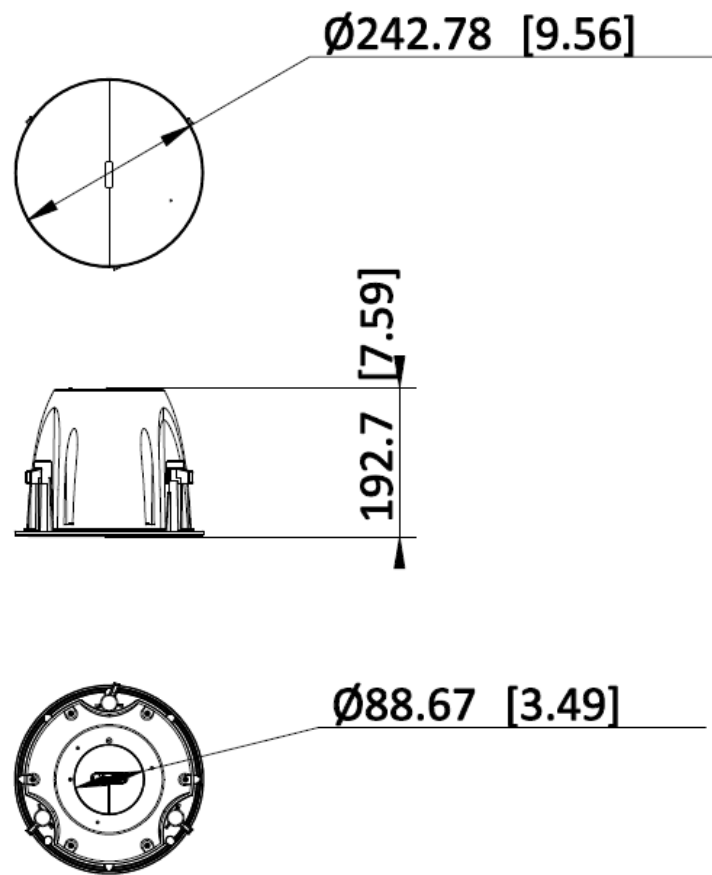
Speaker	
Impedance	8Ω
Rated Power	10W
Total Harmonic Distortion (THD)	≤1%
Sensitivity(1 m, 1 W)	89dB
Max. Acoustic Pressure	98dB
Frequency Response	120Hz~20kHz(-10dB)
Speaker Unit	1* 1.0-inch tweeter and 1* 6.5-inch woofer
Interface	
Voltage Input	100V × 2
General	
Material	Main body: PC Base: ABS
Dimension	φ242.78mm X 192.7mm
Weight	Approx. 2.7 kg (5.95 lb.)
Language	5 languages: English, French, Spanish, German, Italian
Package Dimension	305mm×305mm×315mm
With Package Weight	Approx. 2.9 kg (6.49 lb.)
Packing List	Device × 1 Regulatory Compliance and Safety Information × 1 2-pin phoenix connector × 1 4-pin phoenix connector × 1
Operating Temperature	-10 °C to 45 °C
Operating Humidity	< 90% (No condensation)

▪ Available Model

DS-QAZ0610G1-S

DS-QAZ0610G1-S/BLACK

▪ Dimension



Unit: mm [inch]

SCALE	1:1
-------	-----

See Far, Go Further



www.hikvision.com
support@hikvision.com

